

# NOBI

Metis Lighting, 1992

In floor, wall and suspension versions, Nobi guarantees total practicality for innovative elegant design. The two bowl-shaped glass discs are held in position by a system of tiny springs and fastened to the metal frame by two pins. In this way the diffuser rotates on itself, directing its halogen beam as required.



## RELATED PRODUCTS



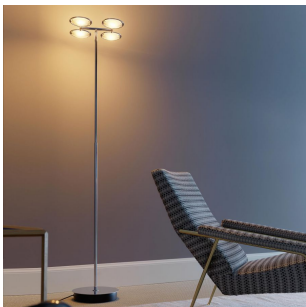
### **NOBI**

*Floor Lamp*



### **NOBI**

*Suspension Lamp*

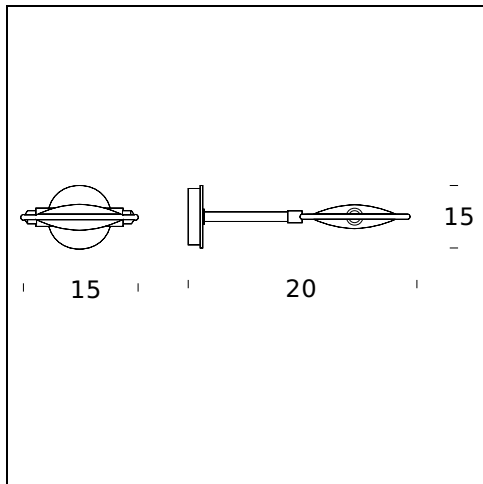


### **NOBI 4**

*Floor Lamp*

## TECHNICAL SHEET

Wall lamp. Matte white BI (RAL 9003 matt), chromed CR or nickel-plated satined NS metal frame. Frosted glass diffusers. Anodized aluminium reflectors for indirect beam and spacer for electrical connections are also available.



**MODEL NAME:** Nobi

**CODE:** 3023..

**DIMENSIONS:** ø 15 x 20 cm

**MATERIALS:** Glass, metal

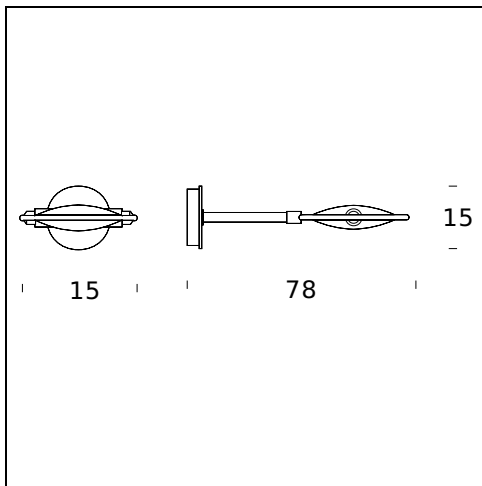
### COLORS

- Chrome-Plated
- Nickel-Plated - RAL Code: RAL 9006 Matt
- White

**BULB:** 1x120W (HA) Eco Saver R7s/80

### CERTIFICATIONS AND SYMBOLS:





**MODEL NAME:** Nobi

**CODE:** 3023/1..

**DIMENSIONS:** ø 15 x 78 cm

**MATERIALS:** Glass, metal

**COLORS**

- Chrome-Plated
- Nickel-Plated - RAL Code: RAL 9006 Matt

**BULB:** 1x120W (HA) Eco Saver R7s/80

**CERTIFICATIONS AND SYMBOLS:**



Subject to technical modifications and modifications to content