

VERTIGO

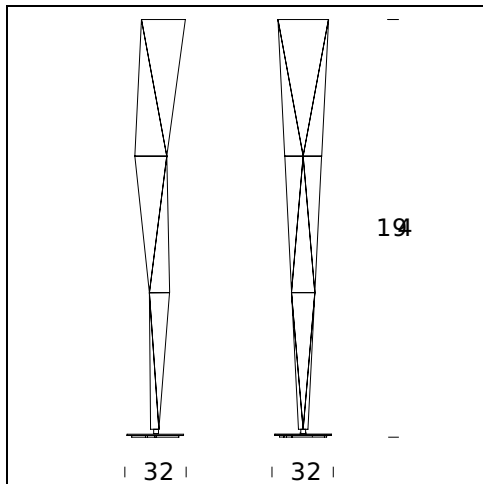
Marco Acerbis, 2005

This indirect light floor lamp with its distinctive sharp corners and edges is the result of folding a fine sheet of aluminum. The structure is mounted on a steel base and can be rotated 320°.



TECHNICAL SHEET

Indirect beam floor lamp with dimmer. Folded mirror-polished aluminum sheet frame, white or black finish. Steel base in matteblack finish. The frame rotates 320° horizontally. Black power cable, dimmer and plug.



MODEL NAME: Vertigo

CODE: 5531

DIMENSIONS: Ø 32 x 194 cm

MATERIALS: Metal

COLORS

● Chrome-Plated

BULB: 1×230W (HA) Eco Saver R7s/115

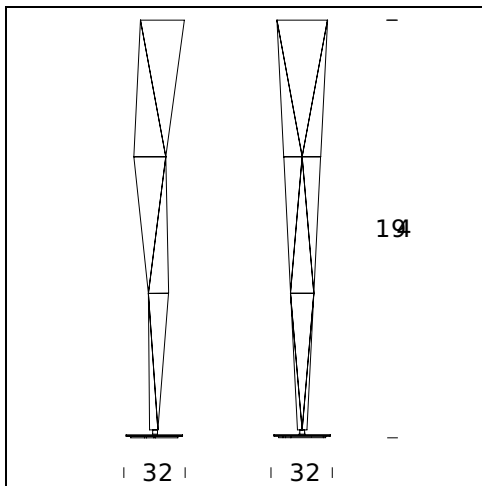
PLUG: Black

POWER CORD: Black

DIMMER: Dimmer

CERTIFICATIONS AND SYMBOLS:

CE EAC IP20 *Classe II*



MODEL NAME: Vertigo

CODE: 5531..

DIMENSIONS: Ø 32 x 194 cm

MATERIALS: Metal

COLORS

- Black - RAL Code: RAL 9005 Gloss
- White Gloss - RAL Code: RAL 9003 Gloss

BULB: 1×230W (HA) Eco Saver R7s/115

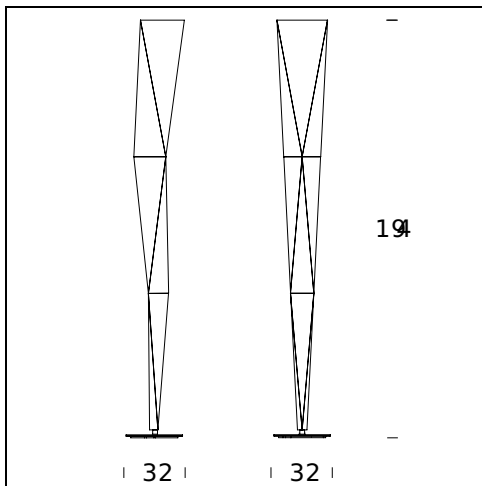
PLUG: Black

POWER CORD: Black

DIMMER: Dimmer

CERTIFICATIONS AND SYMBOLS:





MODEL NAME: Vertigo Led

CODE: 4291

DIMENSIONS: Ø 32 x 194 cm

MATERIALS: Metal

COLORS

● Chrome-Plated

BULB: 30W Led Line Voltage (3000 K, CRI 85, 2900 Lm)

PLUG: Black

POWER CORD: Black

DIMMER: Dimmer

CERTIFICATIONS AND SYMBOLS:



Subject to technical modifications and modifications to content