

Mercury Ceiling LED 3000K



IP20

Dimmerable: + -

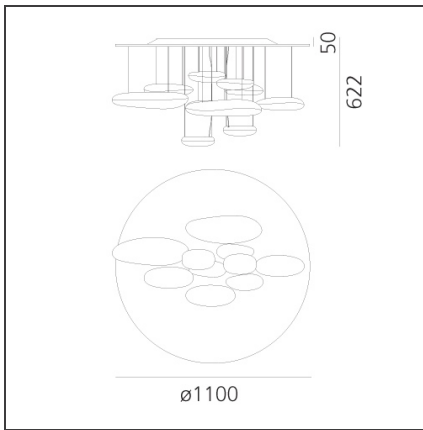
DESIGN BY

Ross Lovegrove

DESCRIPTION

Lamp available in the suspension and ceiling versions. "A ceiling fixture that places a floating assembly of large pebbles below a simple modern aluminium disc. These in turn reflect each other bouncing light between their taught bio - morphic surfaces and reflecting the environment around them. During the day the piece acts as a sculptural object reflecting the dynamics of natural light and the movement of people around them. Die-cast aluminium lighting units; reflective units made of injection-moulded thermoplastic material with metallic finish; stainless steel reflector. Dimmable (SwitchDim).

TECHNICAL DRAWINGS



FEATURES

| | | | |
|----------------------|---------------------|-----------------------|----------------------------------|
| Article Code: | 1366110A | Material: | Aluminium, ABS, steel |
| Colour: | Polished chrome | Series: | Design, Hydro, Scenarios |
| Installation: | Ceiling, Suspension | Area contract: | Hospitality, Office, Residential |
| Environment: | Indoor | Emission: | Indirect |

DIMENSIONS

| | | | |
|----------------|-------|------------------------|-----|
| Height: | cm 55 | Glow Wire Test: | 650 |
|----------------|-------|------------------------|-----|

INCLUDED SOURCES

| | | | |
|--------------------------------------|--------|-------------------------------|---------------|
| Category: | LED | Color temperature (K): | 3000K |
| Number: | 2 | Color Tolerance: | MacAdam 2SDCM |
| Watt: | 23.62W | CRI: | 90 |
| Delivered lumens output (lm): | 2840lm | Efficacy: | 120lm/W |
| Type: | 0 | Service Life: | 50000-L70 |

LUMINAIRE

| | | | |
|-----------------|-----------|--------------------------------------|-----------|
| Watt: | 58W | Delivered lumens output (lm): | 3094lm |
| Voltage: | 220V-240V | CCT: | 3000K |
| | | Efficiency: | 54% |
| | | Efficacy: | 53.34lm/W |
| | | CRI: | 90 |
| | | Dimmable Typology: | Push |